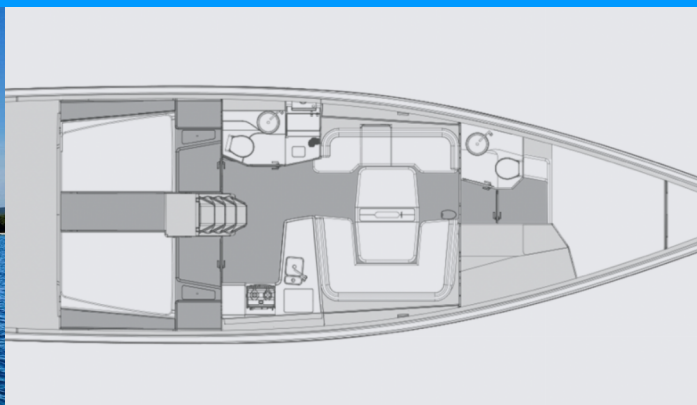


ELAN E6

Black Panther

The Sailing yacht Elan E6 „Black Panther“, built in 2023, is moored in Marina Pirovac, - Croatia. The yacht has 4 cabins, can accomodate 8 + 2 persons and has 2 toilets/showers.



YACHT SPECIFICATIONS

Charter Base

Marina Pirovac, Croatia

Yacht ID

4611

Brand

Elan Marine

Name

Black Panther

Production Year

2023

Length

15.30 m

Cabins

4

Berths

8 + 2

Head/Shower

2

STANDARD YACHT EQUIPMENT

Comfort

Cockpit cushions

Deck

Anchor with chain (Delta + 75m), Bathing platform (Large), Bimini top, Bow sail locker, Cockpit/stern, outside shower, Deck lights, Electric anchor windlass (1500W + additional battery; Windlass control unit with chain counter), Mooring Cleats, Set for steerman (helmsman's chair) (+ Additional helmsman seats in cockpit with storage), Sprayhood, Winch handles

Entertainment

FUSION sound system (MS-RA210 with FM-F65RV speakers), Indoor speakers, Outdoor speakers, TV (Smart-TV), Underwater lights, Wi-Fi Internet (Gratis)

Galley

Gas bottles, Gas cookers, Hot water, Kitchen utensils (Galley equipment, cutlery), Pressurized water system, Refrigerator (130l front opening + 110l top opening), Sink

Interior

Curtains, LED lights

Navigation

3 blade folding propeller, AIS (Raymarine), Autopilot (Raymarine), Bow thruster (24V retractable with additional battery and battery charger), Compass, GPS chart plotter (Raymarine), LED Navigation lights, Navigation (Nautical) charts and nautical guide, Windex

Safety

Automatic Inflatable Life Jacket, EPIRB-Distress radio beacons, Fire extinguisher, Guard rail, Liferaft (10 Pax), VHF radio

Sails

Bowsprit (Fixed carbon bowsprit), Genoa (tri-radial cut Jib of black Dacron), Halyard winches, Lazy bag, Sails (tri-radial cut full-batten mainsail of black Dacron), Winch (2 halyard winches on coach roof Harken 46.2 radial (electric winch on left side) + 2 main sail winches Harken 50.2 radial + 2 genoa winches Harken 60.2 radial)

Yacht electrics

12V Socket, 230 volt socket, Air Conditioning (16000 BTU), Battery monitor, Bilge pump - Electric, Heating (Webasto), Inverter (350 VA), Service batteries (x 140 Ah), Shore connection 220 V, Start battery (90Ah), USB sockets

PRICE / WEEKS

29.03. - 05.04.2025 2.498 € 2.775 €	05.04. - 12.04.2025 Booked	12.04. - 19.04.2025 2.498 € 2.775 €	24.04. - 03.05.2025 Booked
03.05. - 10.05.2025 3.989 € 4.980 €	10.05. - 17.05.2025 3.989 € 4.980 €	17.05. - 24.05.2025 3.985 € 5.500 €	24.05. - 31.05.2025 4.489 € 6.650 €
31.05. - 14.06.2025 Booked	14.06. - 21.06.2025 4.990 € 7.200 €	21.06. - 28.06.2025 5.496 € 8.850 €	28.06. - 05.07.2025 5.973 € 9.980 €



WEB

najachty.pl

PHONE

+48 882 071 532

E-MAIL

biuro@najachty.pl

NAJACHTY

ul. Pi. Świętej Małgorzaty 1-2/42B, 58-100, Świdnica, Poland



PRICE / WEEKS

05.07. - 12.07.2025 5.973 € 9.980 €	12.07. - 19.07.2025 6.489 € 10.300 €	19.07. - 26.07.2025 6.489 € 10.300 €	26.07. - 02.08.2025 6.489 € 10.300 €
02.08. - 09.08.2025 6.489 € 10.300 €	09.08. - 16.08.2025 5.947 € 9.440 €	16.08. - 23.08.2025 5.947 € 9.440 €	23.08. - 30.08.2025 5.496 € 8.850 €
30.08. - 06.09.2025 Booked	06.09. - 13.09.2025 5.998 € 8.330 €	13.09. - 20.09.2025 5.998 € 8.330 €	20.09. - 27.09.2025 5.455 € 7.770 €
27.09. - 04.10.2025 3.985 € 5.500 €	04.10. - 11.10.2025 3.985 € 5.500 €	11.10. - 18.10.2025 3.861 € 5.500 €	18.10. - 25.10.2025 3.861 € 5.500 €
25.10. - 01.11.2025 3.861 € 5.500 €	01.11. - 08.11.2025 3.861 € 5.500 €	08.11. - 15.11.2025 4.950 € 5.500 €	15.11. - 27.03.2026 Booked



WEB

najachty.pl

PHONE

+48 882 071 532

E-MAIL

biuro@najachty.pl

NAJACHTY

ul. Pi. Świętej Małgorzaty 1-2/42B, 58-100, Świdnica, Poland

